

Preparation of Survey plans and
Asset mapping for hospitals and medical
colleges in Hyderabad district, Telangana.

**REPORT ON
UHP BEGUM BAZAR, HYDERABAD**

CONTENTS

1. Project particulars
2. Introduction
3. Location map
4. Site lay out
5. Detailed floor plans
6. Brief note on existing Structures

1. PROJECT PARTICULARS

1. Project Scope : Conducting survey and Asset mapping of existing infrastructure in **UHP Begum Bazar.**
2. Location : Begum Bazar, Hyderabad.
3. Type Of Hospital : UHP.
4. Total Site Area : 0.311 acr
5. Builtup area : 358.72 Sqmt

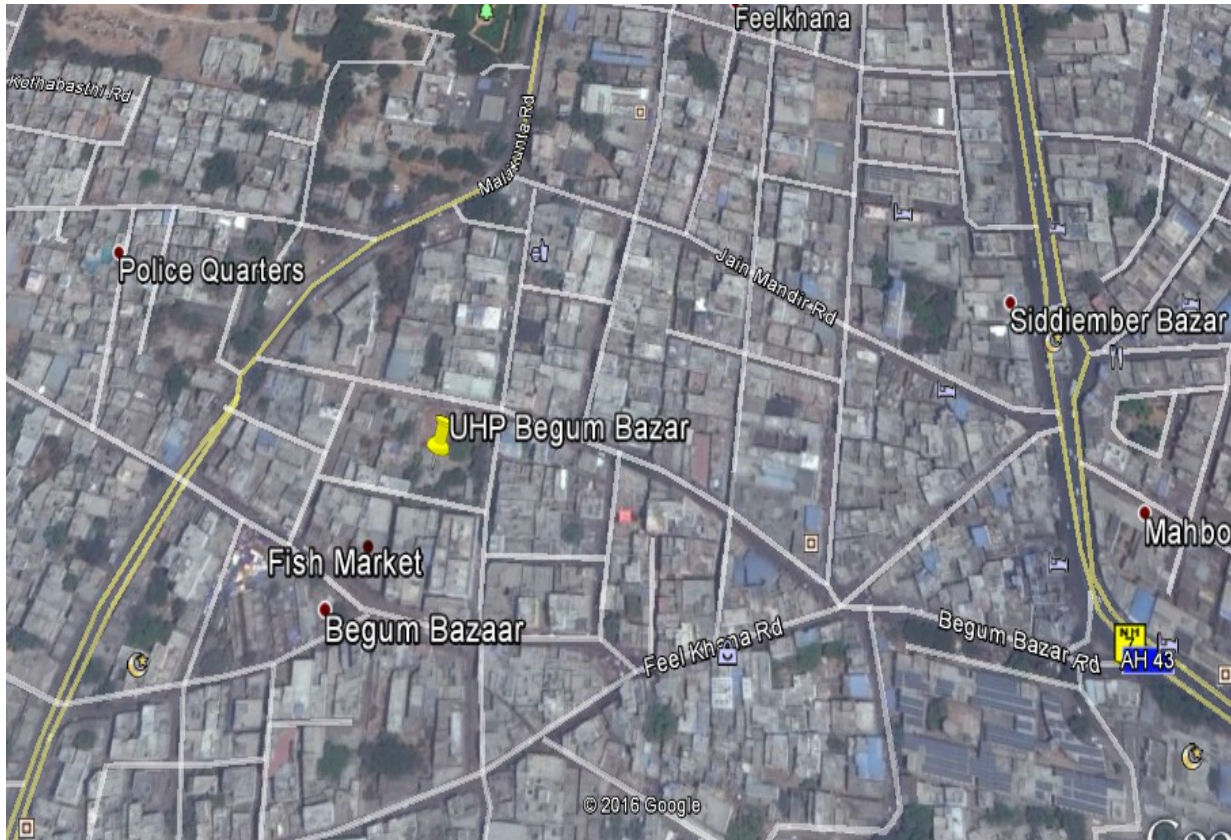
2. INTRODUCTION:

TSMSIDC is coming up with proposals of upgrading existing hospitals as per latest specifications and standards. In this regard TSMSIDC called the consultants to take up the survey and collect the details about infrastructure available in each hospital.

The Scope of Work includes :

- Preparation of Survey plan with block levels of 5m and Contours at 0.5m interval.
- Preparation of Block wise As built Drawings with internal accommodation and Room dimensions.

3. LOCATION MAP



Preparation of Survey plans and
Asset mapping for hospitals and medical
colleges in Hyderabad district, Telangana.

4. SITE PLAN

Preparation of Survey plans and
Asset mapping for hospitals and medical
colleges in Hyderabad district, Telangana.

5. DETAILED FLOOR PLANS

6. BRIEF NOTE ON EXISTING STRUCTURES

Infrastructure present in the hospital are:

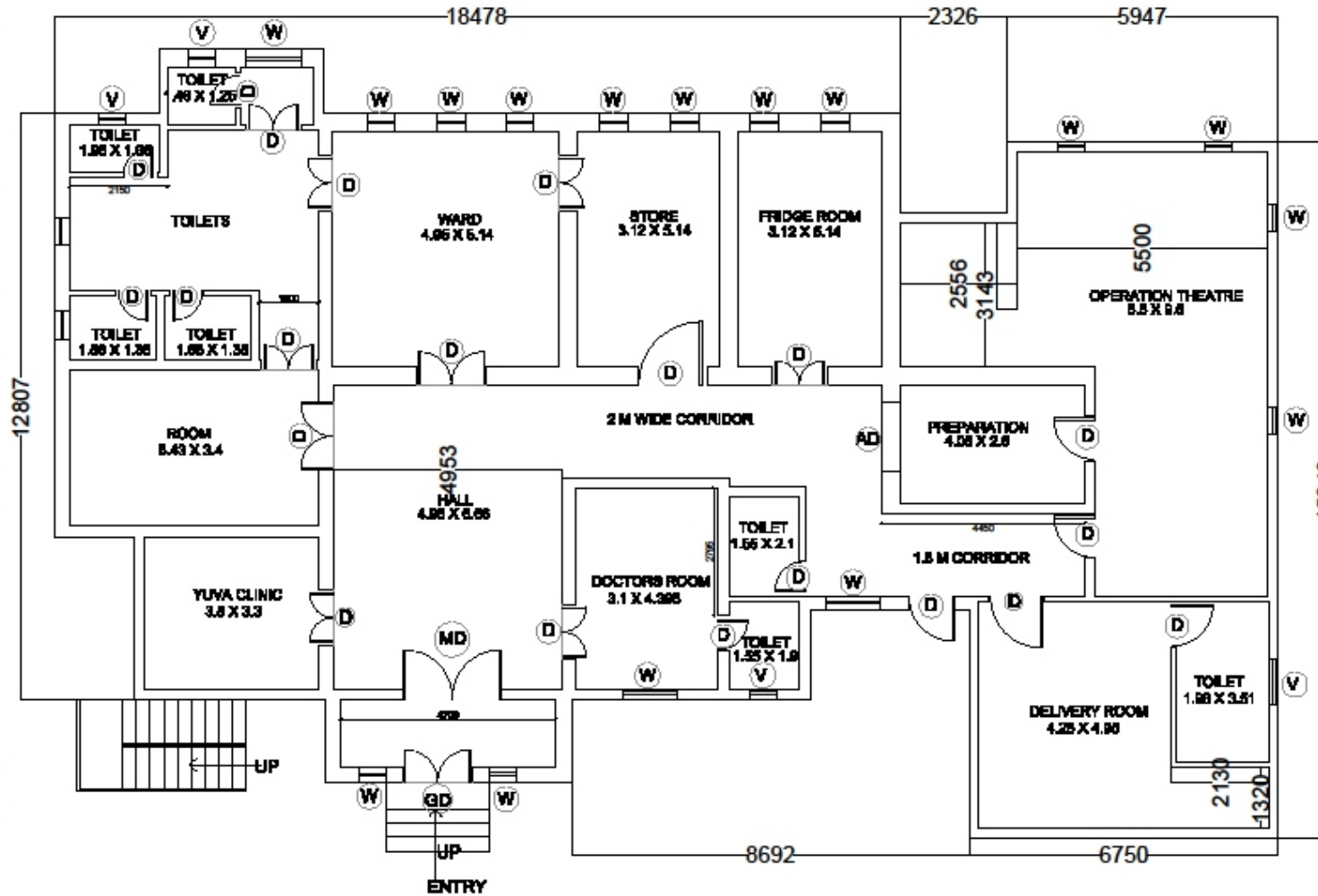
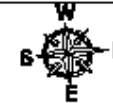
S.No	Name of the Building	Type of structure	No.of Floors	Age of the Structure	Condition
1	UHP Block	R.C.C	Ground floor	20 years	Good



NOTES:

1. All dimensions are in millimetres unless otherwise specified.
2. Do not scale the drawing.

NORTH :



AREA STATEMENT

S.NO.	DESCRIPTION	AREA
1	SITE AREA	1258.78sqmts. 0.311 acr
1	PLINTH AREA	358.72 Sqmts. 3851.31 sq. ft.

REFERENCE DRAWINGS :

Rev.	Description	Date	Signature

Client : TSMISDC, HYDERABAD

Project : PREPARATION OF SURVEY PLANS AND ASSET MAPPING FOR HOSPITALS & MEDICAL COLLEGES

Title : U.P.P @ NIGAM BICOL

Consultants :

surve associates
 architects engineers & contractors pvt.ltd.
 Plot No. 10, Survey No. 10, 100th Cross Street,
 1st Floor, Madhavaram, Chennai - 600 031
 T: +91-44-2610-1111, F: +91-44-2610-1112
 www.surveassociates.com

Scale	Not to scale
Designed	
Drawn	Tejari
Checked	Nandani
Approved	

NOTES:

1. All dimensions are in millimetres unless otherwise specified.
2. Do not scale the drawing.

NORTH :



LEGEND

S.NO.	DESCRIPTION
1	— MAN HOLE
2	— TREE
3	— POLE
4	— BORE WELL
5	— MOSQUE

AREA STATEMENT

S.NO.	DESCRIPTION	AREA	
1	SITE AREA	1258.7 Sqmts.	0.311 acr
2	PLINTH AREA	358.72 Sqmts.	3861.31 Sqf.

REFERENCE DRAWINGS :

Revn.	Description	Date	Signature

Client :
TSMCID, HYDERABAD

Project : PREPARATION OF SURVEY PLANS AND ASSET MAPPING FOR HOSPITALS & MEDICAL COLLEGES

Title : U.P.H @ BEGUN BAZAR
SITE LAYOUT

Consultants :	Scale	
	Scale	Not to scale
	Designed	
	Drawn	Tejarsi
	Checked	Nandana
Approved		

